



5.0 kW Horizontal PV Tracker*

Single-axis
Modular

Data Specifications, Part SLR-HZT5000-MOT

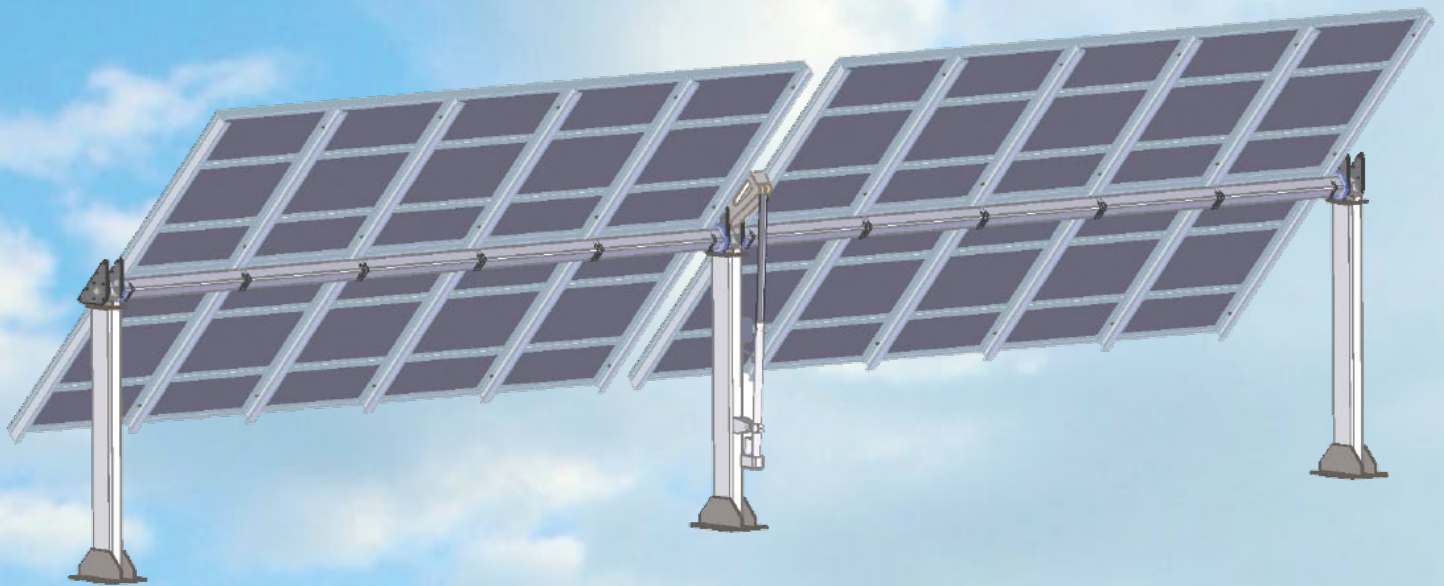
Engineering and Manufacturing for the Renewable World



www.patriotsolargroup.com

Patriot Solar Group (PSG) manufacturing and engineering for the renewable world. We are committed to providing the highest quality products and service in the industry. Our dedicated sales, engineering, and operations staff keeps the customer and the environment at the forefront of their minds while creating a customized solution to fit your renewable needs. PSG will work hand in hand with you from the conception of the project until completion. If you are in the market for a renewable solution and want more than "just a supplier" look to PSG for your manufacturing and engineering needs.

All Patriot Solar mounts are designed to withstand over 100mph wind-loading survival and come standard with aluminum modular rails. These modular rails can be assembled to almost any panel manufacturers known to the solar industry. This gives Patriot the ability to offer our customers and installers, quality and peace-of-mind that the system will assemble together fast and efficient.



Features/Benefits:

- ▶ Built more durable than similar units using thick wall steel mount
- ▶ Ideal for remote area installation
- ▶ Minimal maintenance required
- ▶ Low cost foundations
- ▶ Standard universal mounting rails to fit any commercially available photovoltaic panel
- ▶ Portrait mounting design to allow more modules per straight line string
- ▶ Modular to allow for multiple configurations dependant on field layout
- ▶ Heavy duty low friction pillow block bearings
- ▶ Highwind tracker

5.0 kW Horizontal PV Tracker*

Single-axis
Data Specifications

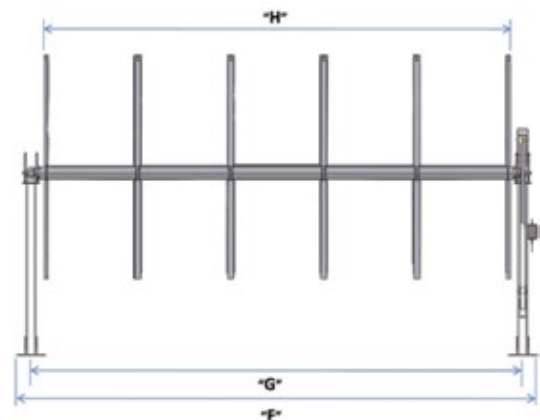
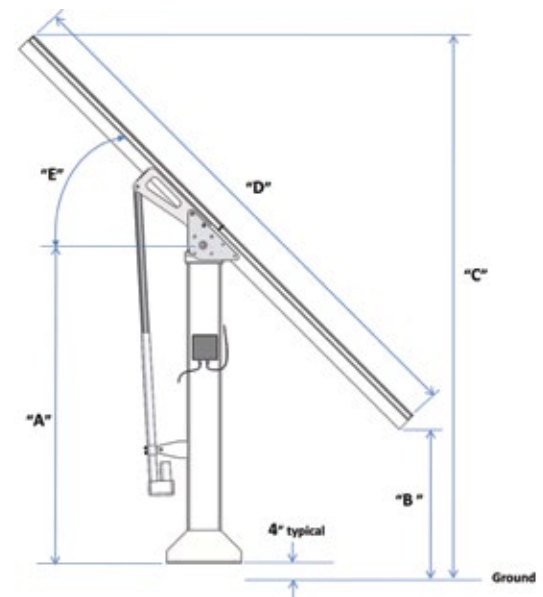


www.patriotsolargroup.com

Mechanical Data

Type	Motorized Horizontal
Length (in/cm)	416in (1057cm)
Height (in/cm)	132in (335cm)
Degrees of Elevation Travel	+/- 45 degrees
Width (in/cm)	115in (292.1cm)
Wind Survival (stow position)	>100mph (161km/h)
Quantity of Modules (based on 1.6m ² modules)	20
Beam section (inches)	4x4
Module Orientation	Portrait
Mounting Area (does not include panel overhang)	344ft ² (32m ²)
Shipping weight (lbs/kilo)	2400lbs (1089kg)

A	74"	E	+/- 45°
B	31"	F	438.5"
C	115"	G	426.5"
D	115" Rails	H	404" Max



Warranty

- ▶ Ten (10) years against mechanical failure (breakage) of the frame construction
- ▶ Two (2) years on Electronics and Workmanship

Patriot Solar Group's Solar Mounts are warranted to be free from defects in material and workmanship under normal use and service. Patriot Solar Group shall repair or replace defective equipment, at no charge, or at its option, refund the purchase price, if the equipment is returned to Patriot Solar Group not more than ten (10) years after shipment. Removal or re-installation of equipment and its transportation shall not be at cost of Patriot Solar Group except Patriot Solar Group shall return repaired or replaced equipment freight prepaid. Complete warranty available on our Web site: www.patriotsolargroup.com

All specifications subject to change without notice.

*Based on 994mm x 1640mm x 46mm 250w Panels

Patriot Solar Group is dedicated to providing the highest quality units using only the best materials for solar and lighting products for home and commercial use that support renewable energy. Our products are environmentally safe, efficient, and affordable while offering the peace of mind of high durability able to withstand the ravages of wind, ice, and water. Our manufacturing processes are based on automotive quality standards to ensure high quality and reliability the first time.

For further information please contact:

Patriot Solar Group
1007 industrial Avenue
Albion, Michigan 49224 USA

Tel: (01) 517 629 9292
Fax: (01) 517 629 9296
info@patriotsolargroup.com

www.patriotsolargroup.com