

2500 Series

Single-axis Horizontal High Wind PV Tracker*

**Single-axis
Modular**

Data Specifications:

Part SLR-HZT250-MOT (Single-axis Horizontal PV Tracker (200-250 Watt Panels))

Part SLR-HZT250-ADD (Add-on Section (Limit 3 Add-on's per System))

Mounts 12-48 Panels Based on 250 W Panels



www.patriotsolargroup.com

Energizing the Future

Patriot Solar Group (PSG) manufacturing and engineering for the renewable world. We are committed to providing the highest quality products and service in the industry. Our dedicated sales, engineering, and operations staff keeps the customer and the environment at the forefront of their minds while creating a customized solution to fit your renewable needs. PSG will work hand in hand with you from the conception of the project until completion. If you are in the market for a renewable solution and want more than "just a supplier" look to PSG for your manufacturing and engineering needs.

All Patriot Solar mounts are designed to withstand over 100 mph wind-loading survival and come standard with aluminium modular rails. These modular rails can be assembled to almost any panel manufacturers known to the solar industry. This gives Patriot the ability to offer our customers and installers, quality and peace-of-mind that the system will assemble together fast and efficient.

Base System



Base + Add On



Base + 2 Add On's



Base + 3 Add On's



Features/Benefits:

- ▶ Built more durable than similar units using thick wall steel mount
- ▶ Ideal for remote area installation
- ▶ Minimal maintenance required
- ▶ Low cost foundations
- ▶ Standard universal mounting rails to fit any commercially available photovoltaic panel
- ▶ Can increase productivity of solar modules up to 35%
- ▶ Modular to allow for multiple configurations dependant on field layout

Equipped with SunScout Controller



- ▶ (1) Control system runs up to (4) 20 foot sections
- ▶ Each system is prefab designed for quick installation, ez-bolt together design requires no onsite alignment or welding

Power Box

2500 Series Single-Axis Horizontal High Wind PV Tracker*

Single-axis
Data Specifications



www.patriotsolargroup.com

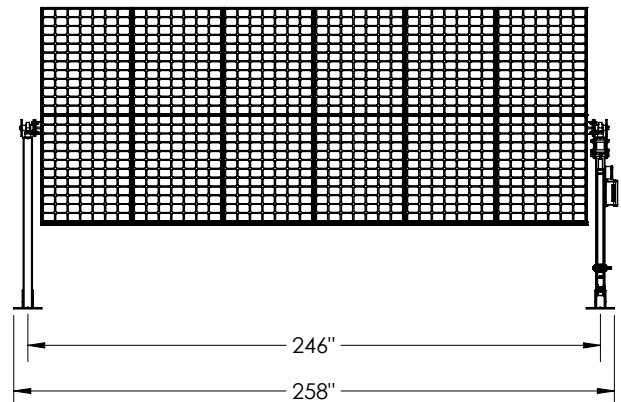
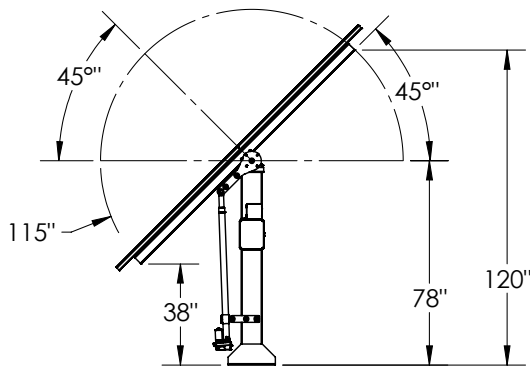
Mechanical Data

*Based on 250 W Panels

	Base System	+ 1 Add On	+ 2 Add On's	+ 3 Add On's
Type	Motorized Horizontal	Motorized Horizontal	Motorized Horizontal	Motorized Horizontal
Rail Length (in/cm)	115 in (292 cm)	115 in (292 cm)	115 in (292 cm)	115 in (292 cm)
Height (in/cm)	78 in (198 cm)	78 in (198 cm)	78 in (198 cm)	78 in (198 cm)
Degrees of Elevation Travel	+/- 45 degrees	+/- 45 degrees	+/- 45 degrees	+/- 45 degrees
Width (in/cm)	282 in (716 cm)	564 in (1,432 cm)	846 in (2,149 cm)	1,128 in (2,865 cm)
Wind Survival (stow position)	100 mph (161 km/h)	100 mph (161 km/h)	100 mph (161 km/h)	100 mph (161 km/h)
Quantity of Modules (based on 1.6 m ² modules)	12 (994 mm x 1640 mm x 46 mm)	24 (994 mm x 1640 mm x 46 mm)	36 (994 mm x 1640 mm x 46 mm)	48 (994 mm x 1640 mm x 46 mm)
Beam Section	4 in x 4 in x 5/15 in wall x 20 ft long	4 in x 4 in x 5/15 in wall x 20 ft long	4 in x 4 in x 5/15 in wall x 20 ft long	4 in x 4 in x 5/15 in wall x 20 ft long
Module Orientation	Portrait	Portrait	Portrait	Portrait
Mounting Area (does not include panel overhang)	191 ft ² (17 m ²)	382 ft ² (35 m ²)	573 ft ² (53 m ²)	764 ft ² (70 m ²)
System Weight (lbs/kilo)	1,151 lbs (522 kg)	2,060 lbs (934 kg)	2,969 lbs (1,347 kg)	3,878 lbs (1,759 kg)

Maximum add on's are 3 per a system.

1 Section View



Warranty

- ▶ Ten (10) years against mechanical failure (breakage) of the frame construction
- ▶ Two (2) years on Electronics and Workmanship

All specifications subject to change without notice.

*Based on 994mm x 1640mm x 46mm 250w Panels

For further information please contact:

Patriot Solar Group
1007 industrial Avenue
Albion, Michigan 49224 USA

Tel: (01) 517 629 9292
Fax: (01) 517 629 9296
info@patriotsolargroup.com

www.patriotsolargroup.com