

## 3000 Series

# Single-axis Horizontal High Wind PV Tracker\*

**Single-axis  
Modular**

**Data Specifications:**

**Part SLR-HZT300-MOT** (Single-axis Horizontal PV Tracker (260-300 Watt Panels))

**Part SLR-HZT300-ADD** (Add-on Section (Limit 3 Add-on's per System))

Mounts 12-48 Panels Based on 300 W Panels



[www.patriotsolargroup.com](http://www.patriotsolargroup.com)

*Energizing the Future*

Patriot Solar Group (PSG) manufacturing and engineering for the renewable world. We are committed to providing the highest quality products and service in the industry. Our dedicated sales, engineering, and operations staff keeps the customer and the environment at the forefront of their minds while creating a customized solution to fit your renewable needs. PSG will work hand in hand with you from the conception of the project until completion. If you are in the market for a renewable solution and want more than "just a supplier" look to PSG for your manufacturing and engineering needs.

All Patriot Solar mounts are designed to withstand over 125 mph wind-loading survival and come standard with aluminium modular rails. These modular rails can be assembled to almost any panel manufacturers known to the solar industry. This gives Patriot the ability to offer our customers and installers, quality and peace-of-mind that the system will assemble together fast and efficient.



### Base System



### Base + Add On



### Base + 2 Add On's



### Base + 3 Add On's



### Features/Benefits:

- ▶ Built more durable than similar units using thick wall steel mount
- ▶ Ideal for remote area installation
- ▶ Minimal maintenance required
- ▶ Low cost foundations
- ▶ Standard universal mounting rails to fit any commercially available photovoltaic panel
- ▶ Can increase productivity of solar modules up to 35%
- ▶ Modular to allow for multiple configurations dependant on field layout

### Equipped with SunScout Controller



- ▶ (1) Control system runs up to (4) 20 foot sections
- ▶ Each system is prefab designed for quick installation, ez-bolt together design requires no onsite alignment or welding

Power Box

# 3000 Series Single-Axis Horizontal High Wind PV Tracker\*

Single-axis  
Data Specifications



www.patriotsolargroup.com

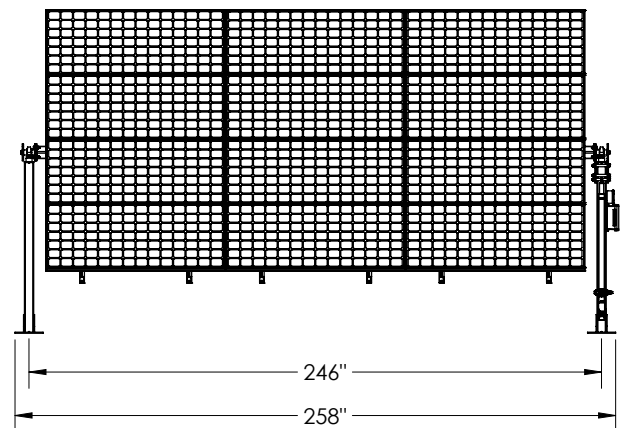
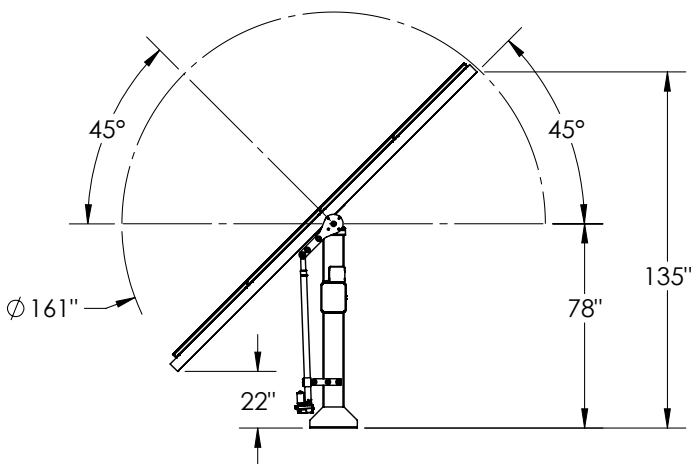
## Mechanical Data

\*Based on 300 W Panels

	Base System	+ 1 Add On	+ 2 Add On's	+ 3 Add On's
Type	Motorized Horizontal	Motorized Horizontal	Motorized Horizontal	Motorized Horizontal
Rail Length (in/cm)	261 in (663 cm)	261 in (663 cm)	261 in (663 cm)	261 in (663 cm)
Height (in/cm)	78 in (198 cm)	78 in (198 cm)	78 in (198 cm)	78 in (198 cm)
Degrees of Elevation Travel	+/- 45 degrees	+/- 45 degrees	+/- 45 degrees	+/- 45 degrees
Width (in/cm)	282 in (716 cm)	564 in (1,432 cm)	846 in ( 2,149 cm)	1,128 in (2,865 cm)
Wind Survival (stow position)	120 mph (193 kph)	120 mph (193 kph)	120 mph (193 kph)	120 mph (193 kph)
Quantity of Modules (based on 1.6 m <sup>2</sup> modules)	12 (994 mm x 1640 mm x 46 mm)	24 (994 mm x 1640 mm x 46 mm)	36 (994 mm x 1640 mm x 46 mm)	48 (994 mm x 1640 mm x 46 mm)
Beam Section	4 in x 4 in x 5/16 in wall x 20 ft long	4 in x 4 in x 5/16 in wall x 20 ft long	4 in x 4 in x 5/16 in wall x 20 ft long	4 in x 4 in x 5/16 in wall x 20 ft long
Module Orientation	Landscape	Landscape	Landscape	Landscape
Mounting Area (does not include panel overhang)	268 ft <sup>2</sup> (25 m <sup>2</sup> )	536 ft <sup>2</sup> (49 m <sup>2</sup> )	804 ft <sup>2</sup> (74 m <sup>2</sup> )	1,072 ft <sup>2</sup> (99 m <sup>2</sup> )
System Weight (lbs/kilo)	1,151 lbs (522 kg)	2,060 lbs (934 kg)	2,969 lbs (1,347 kg)	3,878 lbs (1,759 kg)

Maximum add on's are 3 per a system.

1 Section View



## Warranty

- ▶ Ten (10) years against mechanical failure (breakage) of the frame construction
- ▶ Two (2) years on Electronics and Workmanship

All specifications subject to change without notice.

\*Based on 994mm x 1640mm x 46mm 250w Panels

For further information please contact:

Patriot Solar Group  
1007 industrial Avenue  
Albion, Michigan 49224 USA

Tel: (01) 517 629 9292  
Fax: (01) 517 629 9296  
info@patriotsolargroup.com

[www.patriotsolargroup.com](http://www.patriotsolargroup.com)