

2500 Series Ground Mount PV System

Sold in Sections
Data Specifications

Part SLR-GRD250-4: (Designed to fit most 39.1" x 77" panels, 4 panels a section)
Part SLR-GRD250-END: (End-section assembly - one piece required for end of each row)



www.patriotsolargroup.com

Energizing the Future

Patriot Solar Group (PSG) manufacturing and engineering for the renewable world. We are committed to providing the highest quality products and service in the industry. Our dedicated sales, engineering, and operations staff keeps the customer and the environment at the forefront of their minds while creating a customized solution to fit your renewable needs. PSG will work hand in hand with you from the conception of the project until completion. If you are in the market for a renewable solution and want more than "just a supplier" look to PSG for your manufacturing and engineering needs.

All Patriot Solar mounts are designed to withstand high wind-loading. This gives Patriot the ability to offer our customers and installers, quality and peace-of-mind that the system will assemble together fast and efficient.



Features/Benefits:

- ▶ Modular with quick assembly
- ▶ Section assembly includes 1 post & truss, 2 rails and hardware
- ▶ End-section assembly includes: 1 post, 1 truss and hardware (required for end of each row)
- ▶ Mill finished rails designed for exact panel fit
- ▶ Ideal for large commercial and utility-scale installations
- ▶ Perfect for MW and multi-MW systems
- ▶ Rugged, Weather Resistant Designs
- ▶ 10-year guarantee against mechanical failure (breakage) of the frame construction

Ground Mount PV System

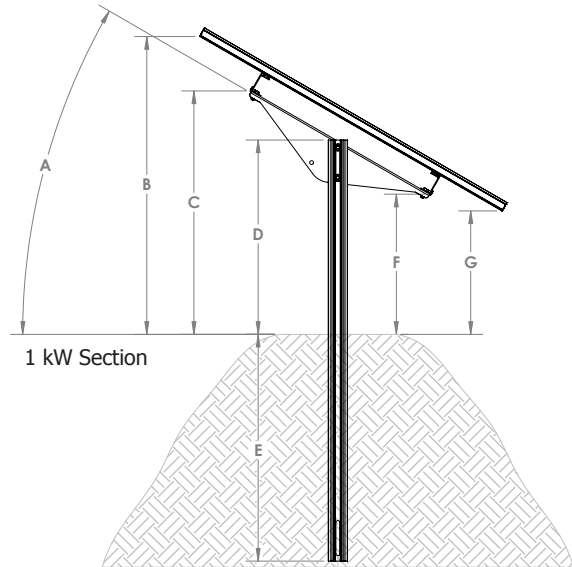
Sold in Sections
Data Specifications



www.patriotsolargroup.com

Mechanical Data

Type	Fixed
Length	Approx. 161.5 in (4.1 m) expandable up to utility-scale
Wind Survival	90 mph (144.8 kmph)
Quantity of Modules (based on 1.6m ² modules)	4 between posts
Rails	2 per section
Module Orientation	Portrait
Tilt Angle	10 - 45° adjustable range



Shipping Data

Shipping weight (lbs)	150 lbs (68.1 kg)
Shipping Dimensions**	163 in x 24 in x 8 in skid (4.1 m x .6 m x .2 m)

- ▶ Post is steel grade 80,000 psi minimum yield strength

A	30°	F	26 in (660 mm)
B	55 in (1397mm)	G	23 in (584 mm)
C	45 in (1143mm)	H	161 in (4089 mm)
D	36 in (914mm)	I	88 in (965 mm)
E	42 in (1066 mm)		

Warranty

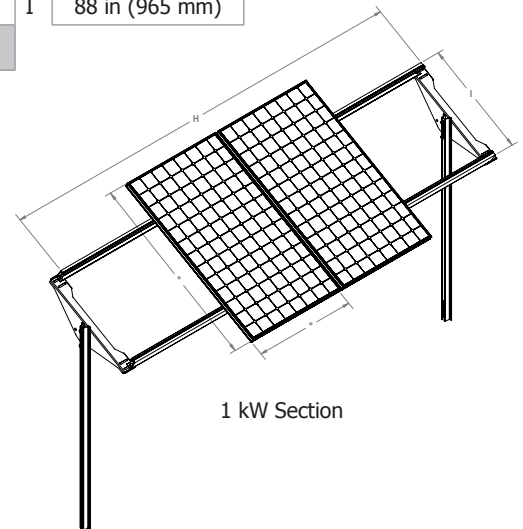
- ▶ Ten (10) years against mechanical failure of the frame construction

Patriot Solar Group's Solar Mounts are warranted to be free from defects in material and workmanship under normal use and service. Patriot Solar Group shall repair or replace defective equipment, at no charge, or at its option, refund the purchase price, if the equipment is returned to Patriot Solar Group not more than ten (10) years after shipment. Removal or re-installation of equipment and its transportation shall not be at cost of Patriot Solar Group except Patriot Solar Group shall return repaired or replaced equipment freight prepaid. Complete warranty available on our Web site: www.patriotsolargroup.com

All specifications subject to change without notice.

*Designed to fit most 39.1" x 77" panels, 4 panels a section.

**Shipping dimensions are based on current shipping practices and subject to change without notice.



For further information please contact:

Patriot Solar Group
1007 industrial Avenue
Albion, Michigan 49224 USA

Tel: (01) 517 629 9292
Fax: (01) 517 629 9296
info@patriotsolargroup.com

www.patriotsolargroup.com

DATA900510_REV001

